

## IP Speaker PROV-H Series



PROVCOM IP Speaker is a high-quality audio device designed for professional use in commercial and industrial settings.

It features advanced audio processing and networking capabilities, allowing it to be easily integrated into any existing audio system.



## PROV-H-321P

IP VoIP Ceiling Speaker



SIP



Built-in Amplifier



PoE (802.3at)



HD Voice



Auto Provisioning

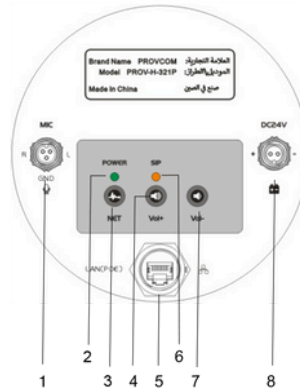


## Product Specifications

Speaker features	Network/ Security Features
SIP/Multicast compatible.	LAN: 10/100M Ethernet port
Can join up to 30 Multicast Group.	Support VLAN (voice VLAN/data VLAN)
SIP supports 3 SIP servers and backup SIP proxy servers.	Support 802.1x
Web-based configuration.	Support basic NAT and NAPT
SIP support SIP domain, SIP authentication (none, basic, MD5), Peer to Peer/ IP Call	NAT transverse support STUN client
Network and manual volume control.	Support DHCP server on LAN
Email/SMS notifications.	Support DNS Relay, SNTP Client.
Built-in Microphone	Firewall, OpenVPN
<b>Audio Features</b>	Network tools in telnet server: including ping, trace route, telnet client
HD voice: HD codec	Support VPN (L2TP).
Codec: G.711, G.7231, G.729a/b, G.722, G.726	<b>Physical Features</b>
DTMF: In-band, RFC2833 and SIP INFO	Adapter Input: 100-240V or Power-over-Ethernet (PoE 802.3af)
Voice Activity Detection (VAD)	Adapter Output: 5-18V
Comfort Noise Generation (CNG)	Power Consumption- Idle: 2.5W/Active: 30W
Echo cancellation: Support G.168	Dimension: 205x140x145 mm

# Product Specifications

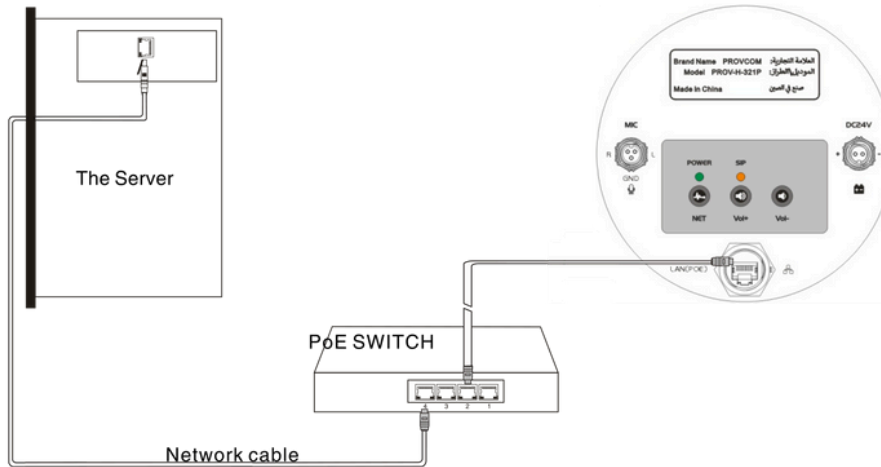
## Parts



## Name

- |   |                      |   |                           |
|---|----------------------|---|---------------------------|
| 1 | Microphone connector | 6 | Network input indicator   |
| 2 | Power indicator      | 7 | Volume Down               |
| 3 | USB Input            | 8 | DC24V Standby power input |
| 4 | Volume increase      |   |                           |
| 5 | LAN&POE POE          |   |                           |

## Link

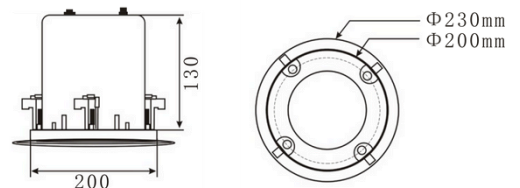


## Install

1. Unscrew the two-end screw cap and take out the wiring core
2. Thread the wire through the nuts sleeve
3. The wire is welded and fixed after being inserted into the wiring core
4. Tighten the sleeve and nut after connection
5. Tighten the nut to complete the connection

T568B

Item	1	2	3	4	5	6	7	8
Colour	Orange-white	Orange	Green-white	Blue	Blue-white	Green	Brown-white	Brown



## Summary

Product Model	PROV-H-321P	Frequency response	80-16000Hz
Main Chip used	DSPG DVF9918	WAN interface	10/100BASE-TXS Auto-MDIX R-4
Communication Protocol	SIP 2.0(RFC-3261)	LAN interface	10/100BASE-TXS Auto-MDIX R-4
Model of POE standard	IEEE802.3a, POE plus	Cabling requirements	Unstructured CAT- 5e or better
Voice stream support protocol	RTP	The pair of the power supply cable	2 2
Speech stream codec	G.729,G.723,G.711,G.6.722	Line input	500mV
Power supply mode	24V DC 2A	Line output	1000mV
Rated power	30W	Network playtime	50m
Digital Keyboard	Support	Network play recovery time	1
Number of direct keys	3	Repeat interval time	50m
Hands-free microphone	1	Real-time play recovery time	50m
Full duplex hand-free	Support (AEC)	Size	230*150
Maximum current	2000mA	Net weight	2.0kg
Power consumption	45mW	Working temperature	-40 to 70
Distortion (T.H.D.)	0.1	Storage temperature	-40 to 70
S/N ratio	97d	Relative humidity of the working environment	10% - 95%

## Application Scenarios



Education



Hotels



Shopping Centers



Airports



Government  
offices



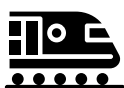
Religious  
buildings



Health Care



Retail Shops



Train and bus  
stations



Banks



Warehouses



Care parking  
area