

IP Speaker PROV-H Series



PROVCOM IP Speaker is a high-quality audio device designed for professional use in commercial and industrial settings.

It features advanced audio processing and networking capabilities, allowing it to be easily integrated into any existing audio system.



PROV-H-521P

IP VoIP Projector Speaker



SIP



Built-in Amplifier



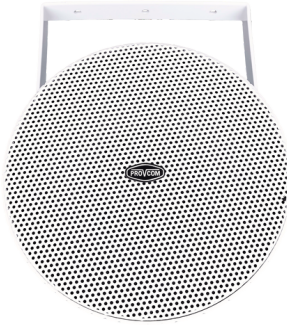
PoE (802.3at)



HD Voice



Auto Provisioning

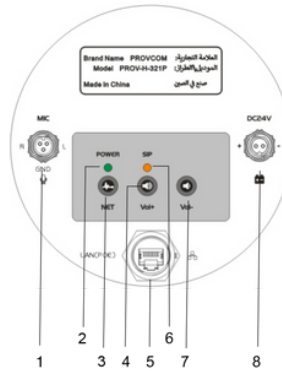


Product Specifications

Speaker features	Network/ Security Features
SIP/Multicast compatible.	LAN: 10/100M Ethernet port
Can join up to 30 Multicast Group.	Support VLAN (voice VLAN/data VLAN)
SIP supports 3 SIP servers and backup SIP proxy servers.	Support 802.1x
Web-based configuration.	Support basic NAT and NAPT
SIP support SIP domain, SIP authentication (none, basic, MD5), Peer to Peer/ IP Call	NAT transverse support STUN client
Network and manual volume control.	Support DHCP server on LAN
Email/SMS notifications.	Support DNS Relay, SNTP Client.
Built-in Microphone	Firewall, OpenVPN
Audio Features	Network tools in telnet server: including ping, trace route, telnet client
HD voice: HD codec	Support VPN (L2TP).
Codec: G.711, G.7231, G.729a/b, G.722, G.726	Physical Features
DTMF: In-band, RFC2833 and SIP INFO	Adapter Input: 100-240V or Power-over-Ethernet (PoE 802.3af)
Voice Activity Detection (VAD)	Adapter Output: 5-18V
Comfort Noise Generation (CNG)	Power Consumption- Idle: 2.5W/Active: 30W
Echo cancellation: Support G.168	Dimension: 205x138x130 mm

Product Specifications

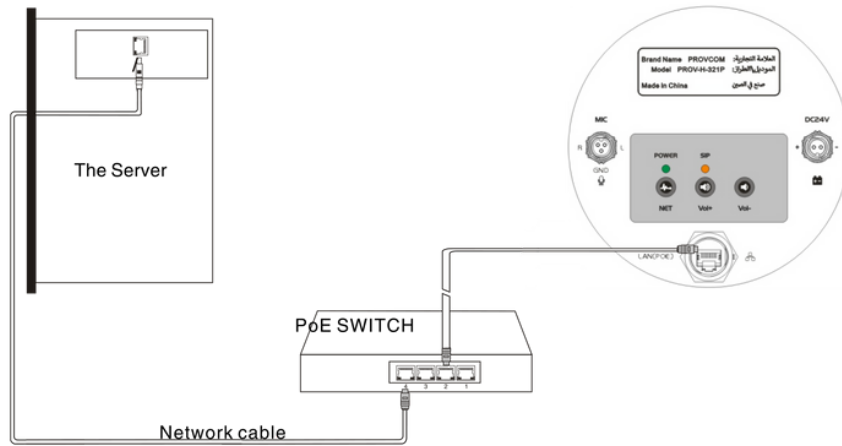
Parts



Name

- 1 Microphone connector
- 2 Power indicator
- 3 USB Input
- 4 Volume increase
- 5 LAN&POE POE
- 6 Network input indicator
- 7 Volume Down
- 8 DC24V Standby power input

Link



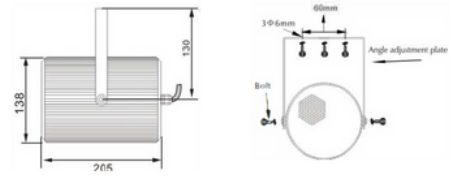
Install

1. Unscrew the two-end screw cap and take out the wiring core
2. Thread the wire through the nut sleeve
3. The wire is welded and fixed after being inserted into the wiring core
4. Tighten the sleeve and nut after connection
5. Tighten the nut to complete the connection

Pin 1 Pin 2

T568B

Item	1	2	3	4	5	6	7	8
Colour	Orange -white	Orange	Green -white	Blue	Blue -white	Green	Brown -white	Brown



Summary

Product Model	PROV-H-521P	Frequency response	80-16000Hz
Main Chip used	DSPG DVF9918	WAN interface	10/100BASE-TXS Auto-MDIX R-4
Communication Protocol	SIP 2.0(RFC-3261)	LAN interface	10/100BASE-TXS Auto-MDIX R-4
Model of POE standard	IEEE802.3a, (POE plus)	Cabling requirements	Unstructured CAT- 5e or better
Voice stream support protocol	RTP	The pair of the power supply cable	2 2
Speech stream codec	G.729, G.723 G.7211,G.722,G.6.726	Line input	500mV
Power supply mode	24V DC 2A	Line output	1000mV
Rated power	30W	Network playtime	≤ 50mS
Digital Keyboard	Support	Network play recovery time	≤ 1 S
Number of direct keys	3	Repeat interval time	≤ 50mS
Hands-free microphone	1	Real-time play recovery time	≤ 150mS
Full duplex hand-free	Support (AEC)	Size	205*138
Maximum current	2000mA	Net weight	2.15kg
Power consumption	45mW	Working temperature	-40 to 70 C°
Distortion (T.H.D.)	≥ 0.1 %	Storage temperature	-40 to 70 C°
S/N ratio	≥ 97dB	Relative humidity of the working environment	10% - 95%

Application Scenarios



Education



Hotels



Shopping Centers



Airports

Government
officesReligious
buildings

Health Care



Retail Shops



Train and bus stations



Banks



Warehouses

Care parking
area